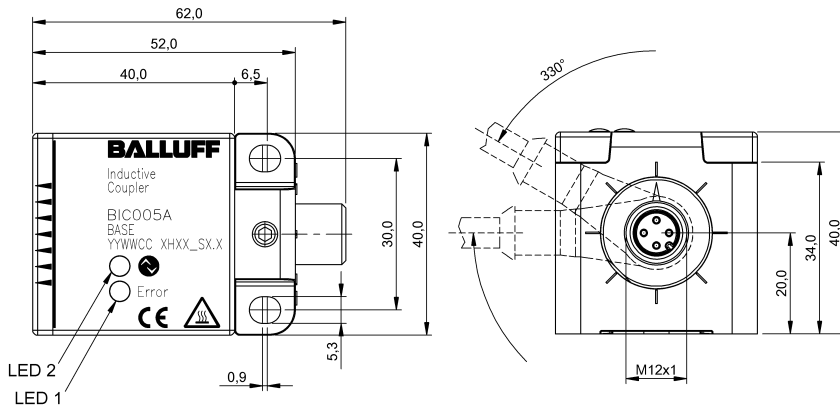


**BIC 110-I2A50-Q40KFU-SM4A4A**  
**Ordering code: BIC005A**

**Inductive data coupler**  
**40 x 40 x 63 mm**



**Characteristic data**

Type	Base
Working range	0...5 mm
Power indicator	Yes
InZone indicator	Yes
Function indicator	Yes
Short-circuit protected	Yes

**Electrical data**

Rated operating voltage Ue DC	24 V
Ripple max. (% of Ue)	±10 %
Rated operating current Ie DC	1000 mA
Transfer rate	COM 2 (38.4 kBaud)
Functionality	Uni IO-Link
Indicator active transmission	Yes
Cycle time min.	3 ms
Process data cycle	12 ms at cycle time min.
IO-Link revision	1.0
Type of master port	A
Process data in	4
Process data out	0
SIO mode	No

Frame type	1
Transferable capacity	12 W
Stability	EN 61000-4-2/3/4/5/6

**Mechanical data**

Connection type	Connector
Connector type	M12x1
Ambient temperature Ta min.	-5 °C
Ambient temperature Ta max.	55 °C
Storage temperature min.	-25 °C
Storage temperature max.	70 °C
Housing material	PBTP
Sensing surface material	PBTP
Tightening torque pigtail	0,6
Number of sockets or pins	4

**Basic data**

Enclosure Type per IEC 60529	IP67
Stability	EN 61000-4-2/3/4/5/6
Approvals	CE

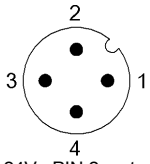
**Remarks**



**BIC 110-I2A50-Q40KFU-SM4A4A**  
**Ordering code: BIC005A**

Inductive data coupler  
40 x 40 x 63 mm

**BALLUFF**  
*sensors worldwide*



IO-Link, PIN 1: +24V, PIN 2: not used, PIN 3:  
GND, PIN 4: C/Q, IO-Link DC-Channel